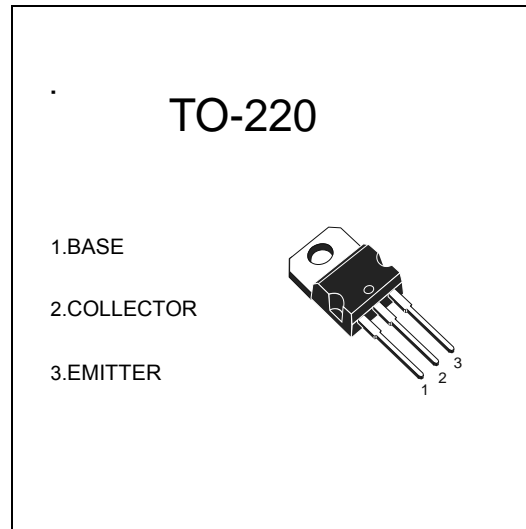


**TO-220 Plastic-Encapsulate Transistors**

**TIP122 TRANSISTOR (NPN)**

: 95HI F9G

- High DC Current Gain
- Electrically Similar to Popular TIP122
- Built-in a Damper Diode at E-C



**A5L-AI A F5HB; G (Ta=25°C unless otherwise noted)**

Gna Vc	DUFUa Yhf	JUi Y	I bjh
J76C	Collector-Base Voltage	100	V
J79C	Collector-Emitter Voltage	100	V
J96C	Emitter-Base Voltage	5	V
7	Collector Current -Continuous	5	A
D7	Collector Dissipation	2	W
HZHGf	Junction and Storage Temperature	-55-150	°C

9 @ 7 HF 7 5 @ 7 < 5 F 5 7 H 9 F - G H 7 G (H1 &) °C i b Ygg' ch Yfk jgY gdYWZ YX

DUFUa Yhf	Gna Vc	HYgh' WcbX]hc b g	A ]b	Hnd	A U	I bjh
7c YWcf! VUgY VfyU_Xck b' j c' HU Y	V <sub>(BR)CBO</sub>	I <sub>C</sub> =1mA, I <sub>E</sub> =0	100			V
7c YWcf! Ya ]Hf VfyU_Xck b' j c' HU Y	V <sub>(BR)CEO</sub>	I <sub>C</sub> =30mA, I <sub>B</sub> =0	100			V
9a ]Hf! VUgY VfyU_Xck b' j c' HU Y	V <sub>(BR)EBO</sub>	I <sub>E</sub> =3mA, I <sub>C</sub> =0	5			V
7c YWcf! W HcZ W ffYbhi	I <sub>CBO</sub>	V <sub>CB</sub> =100V, I <sub>E</sub> =0			10	µA
7c YWcf! Ya ]Hf! W HcZ W ffYbhi	I <sub>CEO</sub>	V <sub>CE</sub> =50V, I <sub>E</sub> =0			10	µA
9a ]Hf! W HcZ W ffYbhi	I <sub>EBO</sub>	V <sub>EB</sub> =5V, I <sub>C</sub> =0			2	mA
87 W ffYbhi [ U]b	h <sub>FE(2)</sub>	V <sub>CE</sub> =4V, I <sub>C</sub> =4A	1000		10000	
	h <sub>FE(3)</sub>	V <sub>CE</sub> =4V, I <sub>C</sub> =8A	100			
7c YWcf! Ya ]Hf! gUhi fU]cb' j c' HU Y	V <sub>CE(sat)(1)</sub>	I <sub>C</sub> =4A, I <sub>B</sub> =16mA			2	V
	V <sub>CE(sat)(2)</sub>	I <sub>C</sub> =8A, I <sub>B</sub> =80mA			4	V
6 UgY! Ya ]Hf! gUhi fU]cb' j c' HU Y	V <sub>BE(sat)</sub>	I <sub>C</sub> =8A, I <sub>B</sub> =80mA			4.5	V
6 UgY! Ya ]Hf! j c' HU Y*	V <sub>BE</sub>	V <sub>CE</sub> =4V, I <sub>C</sub> =4A			2.8	V
7c YWcf! ci hdi hVUdUW]hVW	C <sub>ob</sub>	V <sub>CB</sub> =10V, I <sub>E</sub> =0, f=0.1MHz			200	pF